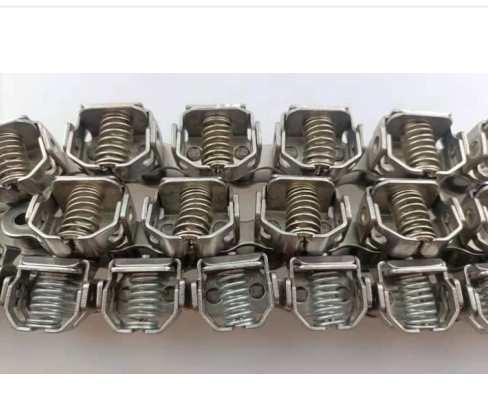




贵州志洪远传动机械有限公司
GUIZHOU GZG TRANSMISSION CO., LIMITED

CHAIN Product Catalogue



GZG TRANSMISSION
0086-854-8190520
www.gzg-transmission.com

GZG TRANSMISSION CO., LIMITED



Guizhou GZG Transmisison Co., Limited locates in Duyun city, Guizhou province, which has been engaged in manufacturing mechanical transmission parts for years. Its products are widely used in diverse industries and highly demanded across the world.

Main products of GZG are standard chains and some non-standard but simple chains, clients may choose carbon steel or stainless steel according to their demands.

To clients from Europe, America, Africa, Asia etc, GZG is a reliable and trustworthy vendor. Customers trust GZG brand products and they are willing to run their equipments with its transmission parts due to the superior strength, durability, performance and long function life.

All GZG staff aim to provide customers high quality products with competitive price. And we'll try our best to offer clients an utmost satisfied service.

www.gzg-transmission.com

PROCDUCT PICTURES



DRIVING CHAINS



CONVEYOR CHAINS



ENGINEERING CHAINS



LEAF CHAINS

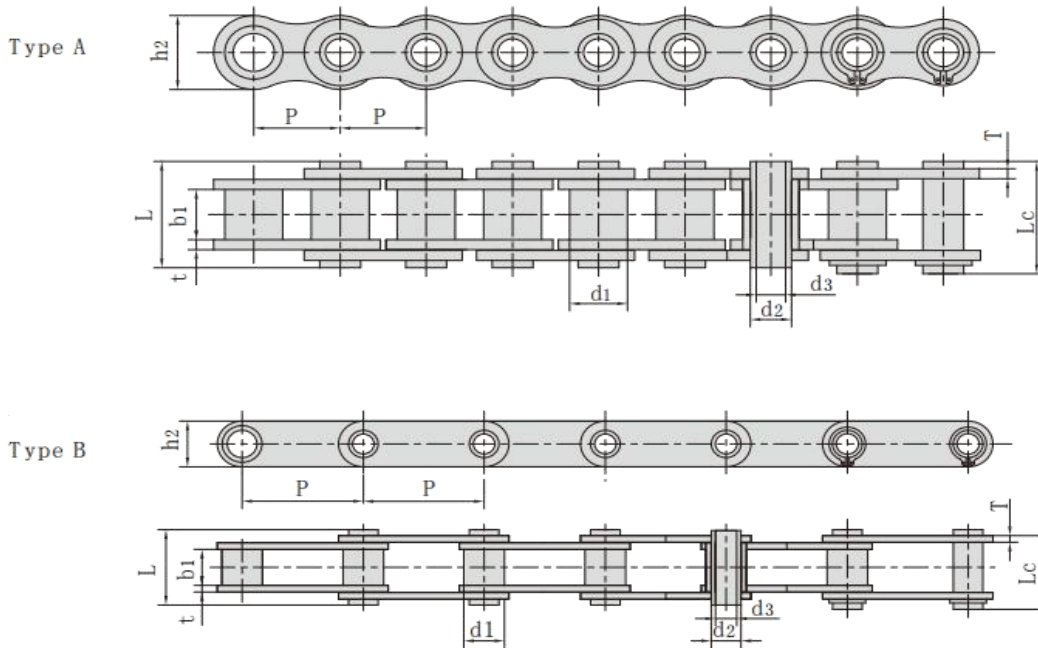


STAINLESS STEEL CHAINS

A. DRIVING CHAINS	1-34
Short pitch precision roller chains(A series)	2-5
Short pitch precision roller chains(B series)	6-8
Heavy duty series roller chains(A series)	9-11
Heavy duty series roller chains(B series)	12
Heavy duty series roller chains(Non-standard)	13
Cottered type short pitch precision roller chains(A series)	14
Heavy duty series cottered type rller chains(A seies)	15
SP series high strength short pitch chains	16
Heavy duty cranked-link transmission chains	17-20
Inverted tooth chains	21-24
Motorcycle chains	25-28
O-Ring motorcycle chains	29
Chain coupling	30
Coupling chains	31-33
Double pitch transmission chains	34
B. CONVEYOR CHAINS	35-55
Roller chains with straight side plates(A series)	36
Roller chains with straight side plates(B series)	37
Short pitch conveyor chain attachments	38-41
Double pitch conveyor chains	42-44
Short pitch conveyor chains with extended pins	45
Lumber conveyor chains & attachments	46-47
Hollow pin conveyor chains	48-54
C. ENGINEERING CHAINS	55-62
Conveyor chains for elevator	56-59
Palm oil chains	60-62
D. LEAF CHAINS	63-68
Leaf chains(AL series)	64
Leaf chains(BL series)	65-66
Leaf chains(LL series)	67-68
E. STAINLESS STEEL CHAINS	69-101
Stainless steel short pitch roller chains	70-72
Stainless steel short pitch roller chain with straight side plate	73-74
Stainless steel short pitch roller chain attachments	75-78
Stainless steel double pitch roller chains	79-80
Stainless steel double conveyor roller chain attachments	81-82
Stainless steel hollow pin chains	83-86
Stainless steel short pitch conveyor chains with extended pins	87-88
Stainless steel conveyor chains(M series)	89
Stainless steel conveyor chains(MC series)	90
Conveyor chains for cold drink production	91-93
Stainless steel side bow roller chains	94
Stainless steel Anti-sidebow chains for pushing window	95-96
Conveyor chains for sausage production	97-98
Stainless steel sharp top chains	99
Grip chains	100-101
Stainless steel double plus chain	102

STAINLESS STEEL CHAINS

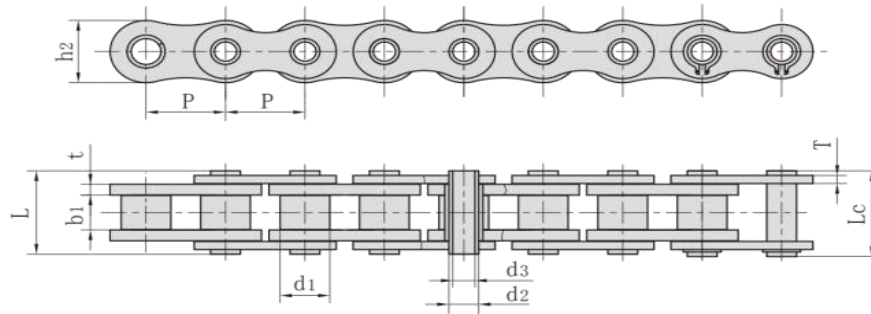
Stainless steel hollow pin chains



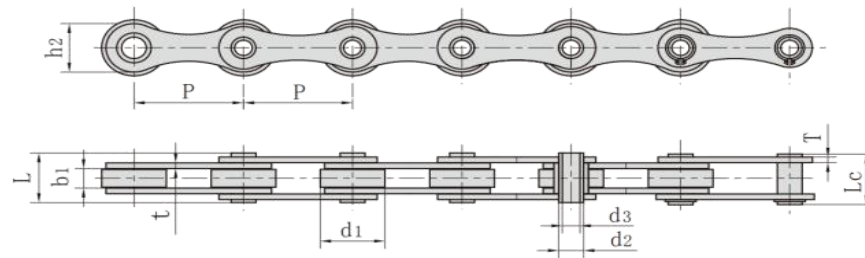
Chain No.	Pitch	Bush diameter	Width between inner plates	Pin diameter		Pin length		Inner plate depth	Plate thickness	Breaking load	Weight per meter	Type
	P	d1	b1	d2	d3	L	Lc	h2	t/T	Q	q	
		mm	mm	mm	mm	mm	mm	mm	mm	mm	kN/lbf	
08BHPSS	12.700	8.51	7.75	6.55	4.50	16.40	-	11.80	1.60	7.7/1731	0.56	A
08BHPFSS	12.700	8.51	7.75	6.55	4.50	16.40	17.60	11.80	1.60/1.30	7.8/1753	0.50	A
08BHPF5SS	12.700	8.51	7.75	6.30	4.50	16.80	18.00	12.00	1.60	6.7/1506	0.63	A
C08BHPSS	12.700	8.51	7.75	6.55	4.50	16.40	17.60	11.80	1.60/1.30	7.7/1731	0.62	B
40HPSS	12.700	7.95	7.85	5.63	4.00	16.50	17.60	12.00	1.50	7.7/1731	0.55	A
50HPSS	15.875	10.16	9.40	7.03	5.13	20.70	21.90	15.09	2.03	14.0/3147	0.92	A
10BHPF3SS	15.875	10.16	9.65	7.02	5.13	19.05	20.50	14.70	1.70	7.0/1574	0.87	A
60HPSS	19.050	11.91	12.70	8.31	6.00	25.80	26.80	18.00	2.42	16.8/3777	1.31	A
60HPF6SS	19.050	11.91	12.70	8.31	5.00	25.80	26.80	18.00	2.42	15.0/3409	1.40	A
80HPSS	25.400	15.88	15.75	11.40	8.05	32.50	33.80	24.00	3.25	35.0/7868	2.29	A
C2040HPSS	25.400	7.95	7.85	5.63	4.00	16.50	17.60	12.00	1.50	7.7/1731	0.47	B
HB25.4F10SS	25.400	10.16	9.40	7.22	5.12	20.50	21.80	14.95	2.03	12.0/2698	0.84	B
C2050HPSS	31.750	10.16	9.40	7.22	5.12	20.50	21.80	15.00	2.03	14.3/3215	0.77	B
C2060HPSS	38.100	11.91	12.70	8.31	6.00	25.80	26.80	17.00	2.42	16.8/3777	1.03	B
HP50F10SS	50.000	18.00	12.00	8.30	8.30	39.50	40.60	30.00	3.00	30.0/6744	2.71	B
C2080HPSS	50.800	15.88	15.75	11.40	8.05	32.50	33.80	24.00	3.25	35.0/7868	1.83	B

Stainless steel hollow pin chains

Type A

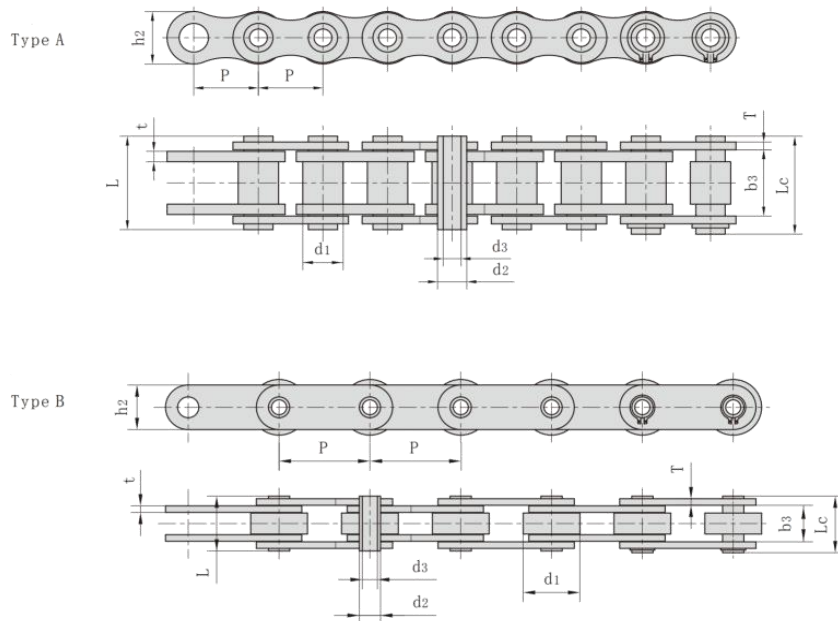


Type B



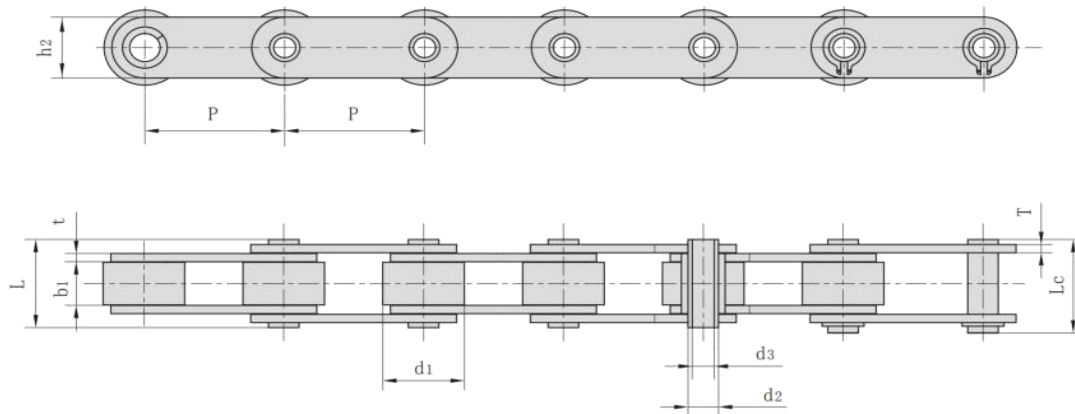
Chain No.	Pitch	Roller diameter	Width between inner plates	Pin diameter		Pin length		Inner plate depth	Plate thickness	Breaking load	Weight per meter	Type
	P	d1	b1	d2	d3	L	Lc	h2	t/T	Q	q	
	mm	mm	mm	mm	mm	mm	mm	mm	mm	kN/lbf	kg/m	
10BHPSS	15.875	10.16	9.65	5.94	4.04	19.30	20.50	14.70	1.70	11.0/2473	0.87	A
12BHPSS	19.050	12.07	11.68	6.50	4.00	21.60	22.80	15.90	1.85	14.0/3147	1.12	A
16BHBSS	25.400	15.88	17.02	8.28	4.20	35.20	36.50	21.00	4.15/3.10	25.4/5710	2.50	A
16BHF1SS	25.400	15.88	12.70	9.53	7.05	30.80	32.20	23.00	4.15/3.10	25.0/5620	2.30	A
HB25.4F6SS	25.400	16.00	8.00	6.05	4.20	19.20	20.20	12.00	2.03	6.0/1349	0.90	B
HP35SS	35.000	20.00	16.00	13.35	10.20	30.40	31.60	26.30	2.50	16.4/3687	2.13	A
HP41.75F1SS	41.750	17.10	20.20	11.11	8.20	35.70	39.00	21.65	3.10	13.2/2967	1.60	A
HP41.75F3SS	41.750	17.00	20.50	11.00	8.30	36.00	39.50	21.40	3.00	13.2/2967	1.64	A
16500HPSS	50.000	30.00	10.50	11.40	8.20	27.40	28.60	26.00	3.10	29.0/6519	2.24	B
HB50F4SS	50.000	30.00	10.00	11.60	8.20	26.60	28.40	25.40	3.00	36.0/8093	1.47	B
HP50F8SS	50.000	25.00	11.20	8.95	6.30	26.00	26.70	20.20	2.50	19.5/4384	1.79	B
HB50.8SS	50.800	30.00	10.50	11.40	8.20	27.40	28.60	26.00	3.10	35.0/7868	2.60	A
HB50.8F13SS	50.800	30.60	13.25	11.40	8.20	30.50	31.70	25.50	3.10	32.0/7194	1.66	B
HB50.8F42SS	50.800	30.00	10.00	11.60	8.00	26.60	30.00	25.40	3.00	50.0/11240	2.00	B
1650HPF3SS	50.800	30.00	10.50	11.20	8.20	27.40	28.60	26.00	3.10	32.0/7194	1.80	B
HB50.8F21SS	50.800	30.00	10.00	11.60	8.20	26.60	28.40	25.40	3.00	36.0/8093	1.46	B
16500HPSS	50.800	30.00	10.50	11.40	8.20	27.40	28.60	26.00	3.10	32.0/7194	1.60	B
HB63F6SS	63.000	30.00	10.00	11.70	8.20	26.70	28.10	26.50	3.10	35.0/7868	2.09	B
HB100F7SS	100.000	30.00	10.00	11.50	8.20	26.50	27.70	25.50	3.00	35.0/7868	1.28	B

Stainless steel hollow pin chains



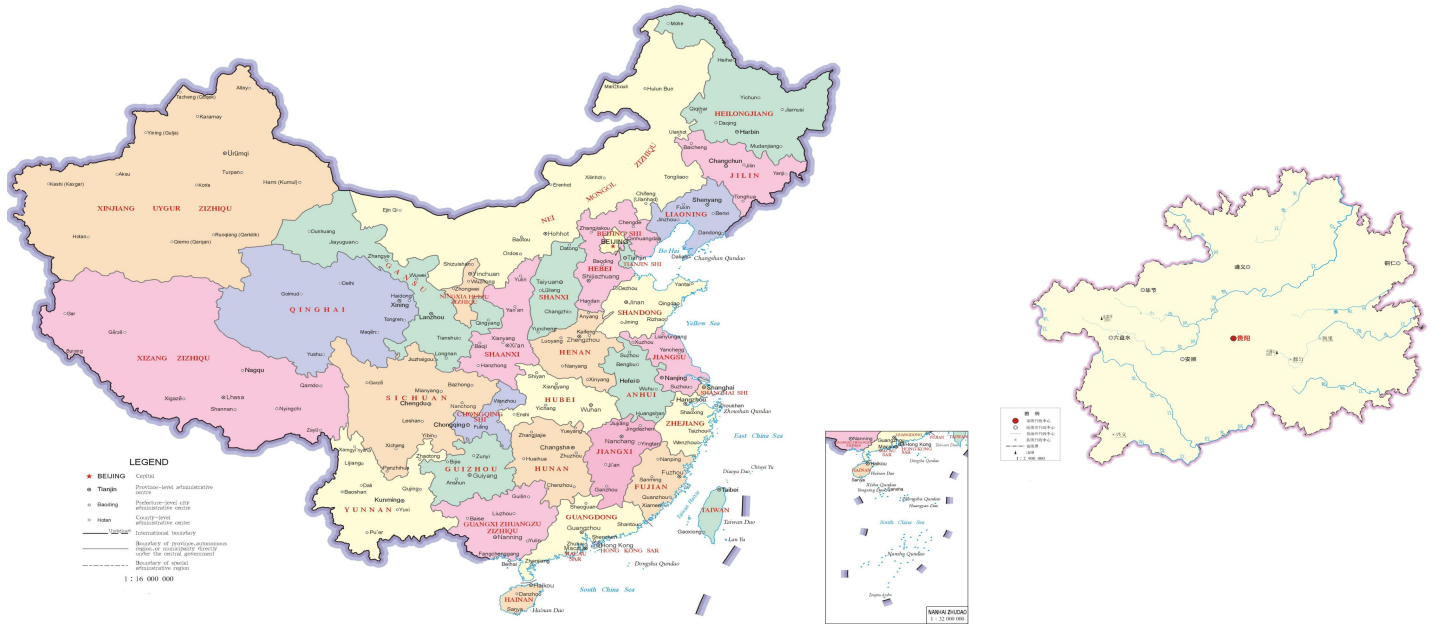
Chain No.	Pitch	Roller diameter	Width between inner plates	Pin diameter		Pin length		Inner plate depth	Plate thickness	Breaking load	Weight per meter	Type
	P	d1	b1	d2	d3	L	Lc	h2	t/T	Q	q	
		max	min	max	min	max	max	max	max	min		
mm	mm	mm	mm	mm	mm	mm	mm	mm	mm	kN/lbf	kg/m	
08BHPF2SS	12.700	8.51	13.20	6.65	5.20	18.00	19.20	11.80	1.60	7.0/1591	0.50	A
08BHPF3SS	12.700	8.51	13.40	6.65	4.00	19.00	20.20	11.80	1.70	9.8/2227	0.69	A
10BHPF9SS	15.875	10.16	15.80	7.03	5.10	19.20	20.20	14.00	1.85	11.9/2705	0.87	A
12BHPF1SS	19.050	12.07	15.80	8.03	5.40	22.70	23.90	15.80	1.85	13.0/2955	1.20	A
12BHPF8SS	19.050	12.07	12.70	8.03	5.70	22.40	23.90	15.80	1.85	13.0/2955	1.04	A
60HPF3SS	19.050	11.91	12.70	8.40	6.10	24.70	26.00	18.00	2.03	12.0/2727	1.54	A
HP20SS	20.000	12.00	28.80	8.40	6.00	38.00	40.00	18.00	3.00	18.0/4091	3.00	A
HB38.1F5SS	38.100	18.00	22.50	14.00	10.20	32.80	34.30	28.00	3.50	40.0/9091	2.80	B

Stainless steel hollow pin chains



Chain No.	Pitch	Roller diameter	Width between inner plates	Pin diameter		Pin length		Inner plate depth	Plate thickness	Breaking load	Weight per meter
	P	d1	b1	d2	d3	L	Lc	h2	t/T	Q	q
		max	min	max	min	max	max	max	max	min	
mm	mm	mm	mm	mm	mm	mm	mm	mm	mm	kN/lbf	kg/m
C2042HPSS	25.400	15.88	7.85	5.63	4.00	16.50	17.60	12.00	1.50	7.7/1731	0.79
C2052HPSS	31.750	19.05	9.53	7.22	5.12	20.50	21.80	15.00	2.03	14.3/3215	1.27
C2062HPSS	38.100	22.23	12.70	8.31	6.00	25.80	26.80	17.00	2.42	16.8/3777	1.74
C2082HPSS	50.800	28.58	15.75	11.40	8.05	32.40	33.80	24.00	3.25	35.0/7868	2.86
C2042H-HPSS	25.400	15.88	7.85	5.63	4.00	18.80	19.90	12.00	2.03	7.7/1731	0.96
C2052H-HPSS	31.750	19.05	9.53	7.22	5.12	22.10	23.40	15.00	2.42	14.3/3215	1.46
C2062H-HPSS	38.100	22.23	12.70	8.31	6.00	29.20	30.20	17.00	3.25	16.8/3777	2.02
C2082H-HPSS	50.800	28.58	15.75	11.40	8.05	36.20	37.60	24.00	4.00	35.0/7868	3.30
HB25.4F2SS	25.400	15.89	17.26	9.00	6.35	31.30	32.50	20.00	2.50	24.0/5395	1.99
HB30SS	30.000	20.00	14.70	9.00	6.30	29.00	31.00	20.00	2.50	18.0/1046	2.23
HB45SS	45.000	28.00	17.75	10.00	6.00	34.50	36.60	25.40	3.00	35.0/7868	3.60
HB50F3SS	50.000	25.00	11.50	9.00	6.00	25.00	26.50	20.00	2.50	21.0/4721	1.24
HB50F5SS	50.000	28.00	17.75	10.00	6.00	34.50	36.60	25.00	3.00	35.0/7868	3.43
HB50F6SS	50.000	20.00	17.75	10.00	6.00	34.50	36.60	25.00	3.00	35.0/7868	2.51
C10HBSS	15.875	10.16	9.65	5.94	4.04	19.30	20.50	14.70	1.70	10.0/2248	0.99
C60HBF4SS	19.080	11.91	12.70	7.00	4.00	25.50	36.60	18.00	2.42	15.0/3372	1.70
MC35SS-P-50	50.000	31.00	14.80	14.00	10.20	31.00	33.00	25.00	3.00	21.0/4721	2.90
4203HPSS	76.200	31.75	15.00	14.00	10.10	25.00	39.00	26.00	3.80	29.4/6609	3.05

Quality First, Customer Supreme.



GZG TRANSMISSION

贵州志洪远传动机械有限公司

GUIZHOU GZG TRANSMISSION CO., LIMITED

T&F: 0086-854-8190520

Web: <https://www.gzg-transmission.com/>

Alibaba: <https://gzgtransmission.en.alibaba.com/>